

### **I Applications**

The Inoxpa LR agitator series is a range of side-entry agitators with the shaft directly coupled to the gear motor.

### **I Operating principles**

The lantern connected to the tank has a stainless steel flange. The agitator shaft is supported by a bearing and has a DIN 24960 mechanical seal. This lightweight range allows to carry out agitation and blending processes either in open or closed vessels, the recommended product viscosity is between 1 and 1000 cPs.

### **I Design and features**

Economical for uses in large volume tanks

Robust and sanitary construction

Minimum and very easy maintenance

High efficiency

Gear box with helical gears with output at 200 RPM

Electric motor 3 ph 280/440 V. 60Hz, IP-55, 1740 RPM

Electropolished surface finishing

### **I Materials**

Parts in contact with the media: AISI 316 (1.4401)

Lantern: GG-15

Mechanical seal (standard): St.St./C/Viton

### **I Options**

Mechanical seal SiC/SiC/Viton

Special motors (EExdIIBT4, EExellT3, thermal probes, heating resistors...)

1/4" BSP ball valve for venting and proportioning

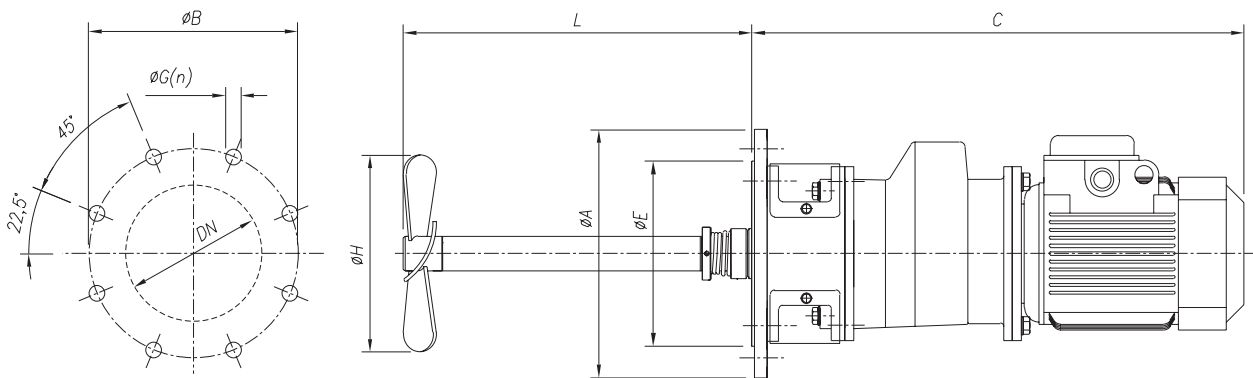
Safety packing

Different types of propellers: marine T10, high flow T19



**Propeller Type 19**





| TYPE                | DN  | Tank volume<br>U.S. Gallon | Speed<br>R.P.M | Power<br>Hp | Flange |       |       |          | ø L   | ø H   | C max | Code           |
|---------------------|-----|----------------------------|----------------|-------------|--------|-------|-------|----------|-------|-------|-------|----------------|
|                     |     |                            |                |             | ø A    | ø B   | ø E   | ø G(n)   |       |       |       |                |
| LR 1.10-20005-1-325 | 150 | 1320-2640                  | 200            | 0,75        | 11,22  | 9,44  | 8,34  | 0,70(8)  | 15,74 | 12,79 | 20,07 | LR110200051325 |
| LR 1.10-20007-1-400 |     | 5280-13200                 |                | 1           |        |       |       |          |       | 15,74 |       | LR110200071400 |
| LR 1.10-20015-1-500 |     | 13200-26400                |                | 2           |        |       |       |          |       | 19,68 |       | 21,65          |
| LR 1.10-20030-1-600 | 200 | 26400-39600                |                | 4           | 13,38  | 11,61 | 10,19 | 0,90(8)  | 19,68 | 23,62 | 26,18 | LR110200301600 |
| LR 1.10-20040-1-650 | 250 | 39600-52800                |                | 5,5         | 15,55  | 13,77 | 12,28 | 0,90(12) |       | 25,59 | 27,75 | LR110200401650 |

