

I Applications

The KS pumps are sanitary progressive cavity pumps. Because of their design, they are self-priming pumps that can suction from a maximum height of 7 meters. These types of pumps can transfer products of low and high viscosity, as well as products containing particles.

Due to their multiple purposes, they are used to pump edible oils, wine, concentrates and beverages in general. They are also used with viscous food products such as jam and marmalade, pasta, pâté, melted cheese... In the cosmetic industry these pumps are used in applications involving various cosmetic products such as soap, gels and creams.

I Operating principles

The pump's main components are the moving part (the rotor) and the fixed part (the stator). The turning motion of the rotor makes the cavities between the rotor and the stator move forward and transport the product to the outlet.

I Design and features

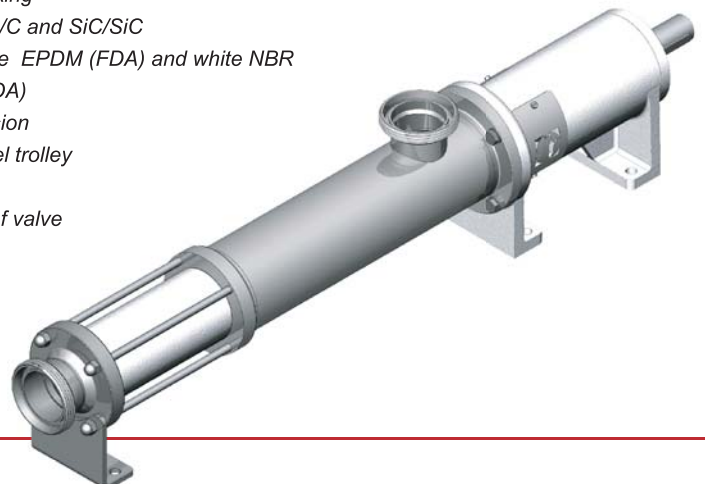
- Bare shaft, hopper and close-coupled versions
- Single inner mechanical seal according to DIN 24960 L1K
- DIN 11851 connections
- Ra ≤ 0.8 µm surface finishing
- Open drive (hygienic design)
- White painted
- Designed according to 3A sanitary standards

I Materials

- | | |
|-------------------------------------|-----------------|
| Parts in contact with pumped media: | AISI 316L |
| Lantern and bearing support: | GG-15 |
| Stator: | Black NBR (FDA) |
| Gaskets: | NBR (FDA) |
| Mechanical seal: | Cer/C/NBR |

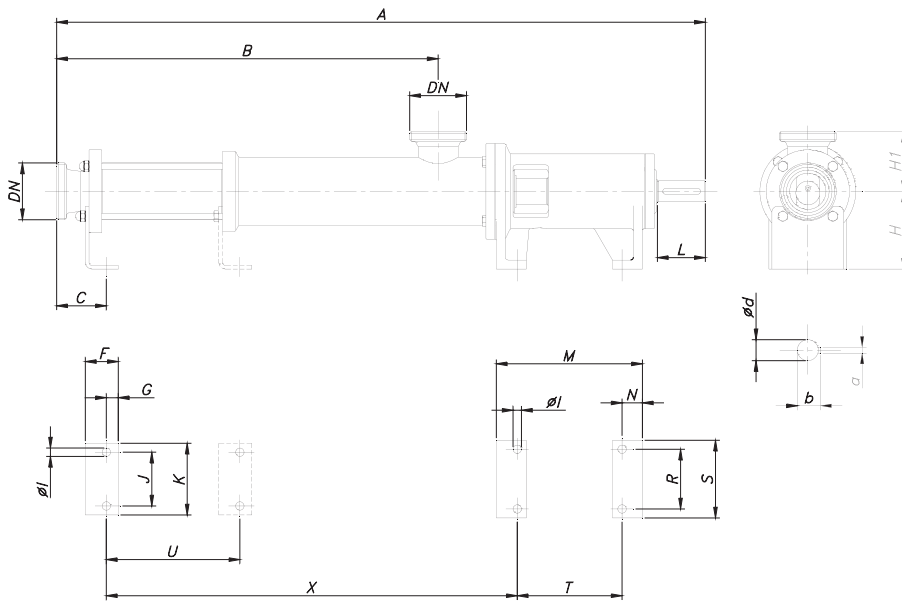
I Options

- Connections clamp, flanges, SMS, RJT...
- Flushed mechanical seal
- Double pressurized mechanical seals
- Sealing by gland packing
- Mechanical seals SiC/C and SiC/SiC
- Stators in black / white EPDM (FDA) and white NBR
- Gaskets in EPDM (FDA)
- Heavy-duty transmission
- Steel or stainless steel trolley
- Electrical panel
- Bypass pressure relief valve
- Cleaning nozzle



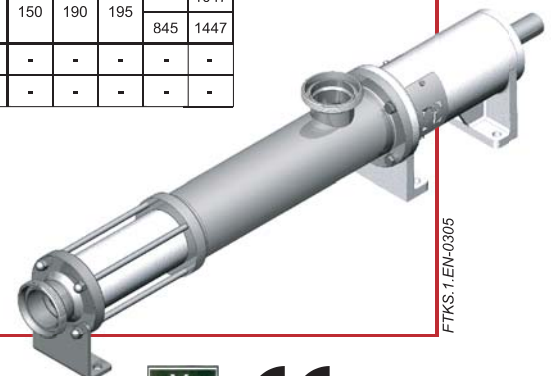
I Technical specifications

Max. flow 60 m³/h / 264 US GPM
 Max. head 12 bar / 174 PSI
 Max. working temp. 90°C / 194°F
 Max. viscosity 1.000.000 mPa.s



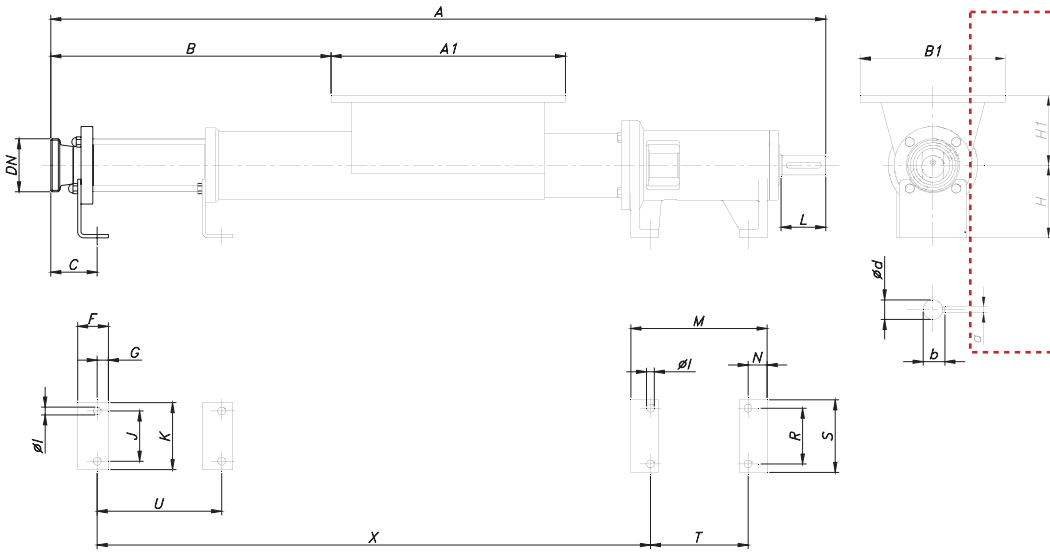
Type	DN	d	L	a	b	A	B	C	F	G	H	H1	I	J	K	M	N	R	S	T	U	X	
KS-20	40	20	50	6	22,5	629	319	58	35	12	90	80	11	45	70	179	27	70	100	125	-	339	
2KS-20	1 1/2"					729	419														-	439	
KS-25	50	25	60	8	27,9	798	441	64	40	15	110	90	11	60	90	204	32	90	120	140	-	481	
2KS-25	2"					890	533														-	573	
KS-30	50	25	60	8	27,9	796	439	64	40	15	110	90	11	60	90	204	32	90	120	140	-	479	
2KS-30	2"					946	589														-	629	
KS-40	65	35	80	10	38,3	1083	637	83	55	20	130	100	14	90	120	244	46	100	130	175	-	686	
2KS-40	2 1/2"					1273	827														413	876	
KS-50	80	35	80	10	38,3	1145	699	88	55	20	130	100	14	90	120	244	46	100	130	175	-	743	
2KS-50	3"					1399	953														530	997	
KS-60	100	48	110	14	51,5	1407	864	99	60	20	160	135	18	130	170	271	38	150	190	195	-	937	
2KS-60	4"					1707	1164														635	1237	
KS-80	100	48	110	14	51,5	1527	984	109	60	20	160	135	18	150	190	271	38	150	190	195	-	1047	
2KS-80	4"					1927	1384														845	1447	
KS-100 *	-	-	-	-	-	-	-	-	-	-	-	-	-	-	-	-	-	-	-	-	-	-	-
KS-120 *	-	-	-	-	-	-	-	-	-	-	-	-	-	-	-	-	-	-	-	-	-	-	-

* At present not available

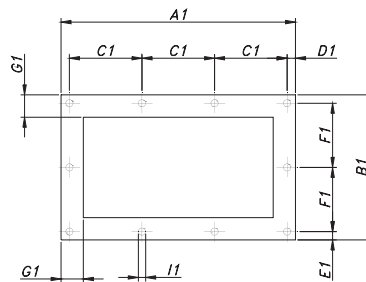


FTKS.1.EN-0305



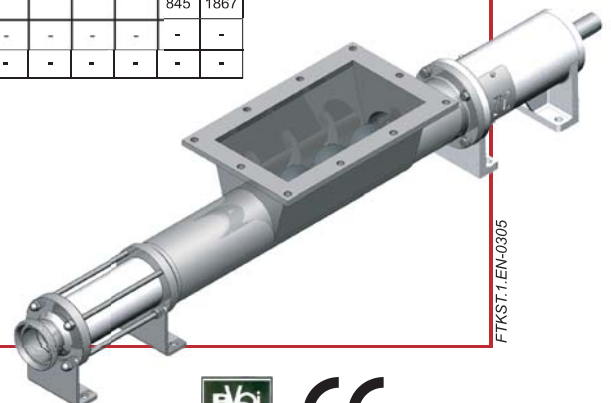


Type	Hopper dimensions							
	A1	B1	C1	D1	E1	F1	G1	I1
KST-20	300	210	70	10	10,5	63	25	10
KST-25	365	250	69	10	10	57,5	30	12
KST-30	420	260	130	15	15	115	40	14
KST-40	420	260	130	15	15	115	40	14
KST-50	585	340	110	17,5	15,5	103	40	14
KST-60	585	340	110	17,5	15,5	103	40	14
KST-80	-	-	-	-	-	-	-	-
KST-100 *	-	-	-	-	-	-	-	-
KST-120 *	-	-	-	-	-	-	-	-



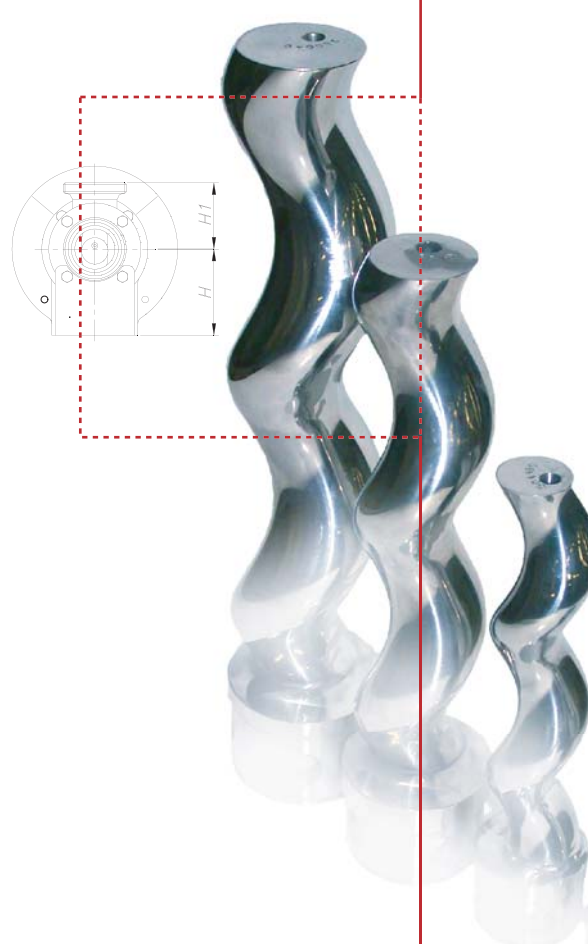
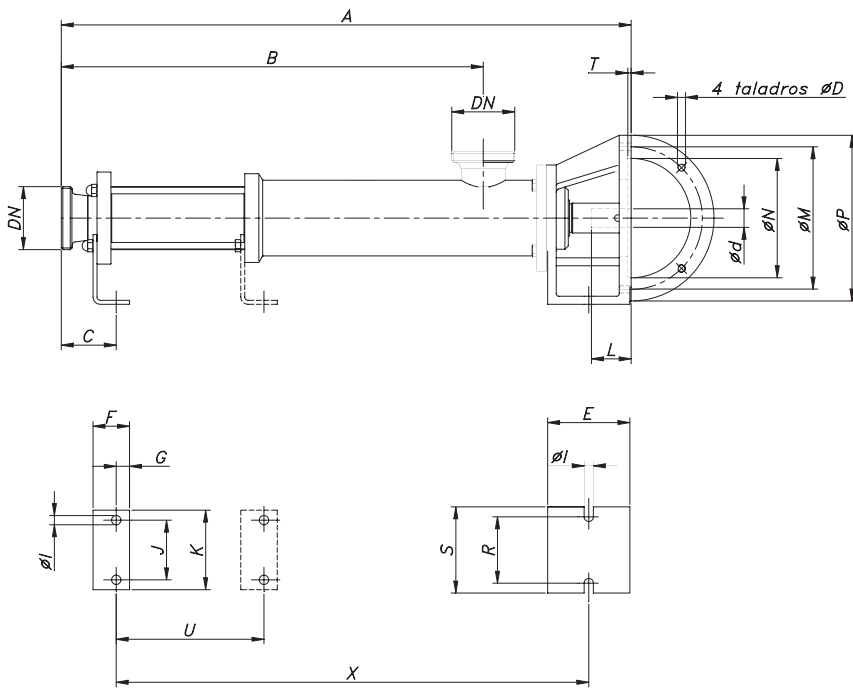
Type	DN	d	L	a	b	A	B	C	F	G	H	H1	I	J	K	M	N	R	S	T	U	X
KST-20	40	20	50	6	22,5	885	270	58	35	12	90	85	11	45	70	179	27	70	100	125	105	606
2KST-20	1 1/2"	20	50	6	22,5	985	370	58	35	12	90	85	11	45	70	179	27	70	100	125	205	706
KST-25	50	25	60	8	27,9	1108	381	64	40	15	110	125	11	60	90	204	32	90	120	140	166	791
2KST-25	2"	25	60	8	27,9	1200	473	64	40	15	110	125	11	60	90	204	32	90	120	140	258	883
KST-30	50	25	60	8	27,9	1106	379	64	40	15	110	125	11	60	90	204	32	90	120	140	164	789
2KST-30	2"	25	60	8	27,9	1256	529	64	40	15	110	125	11	60	90	204	32	90	120	140	314	939
KST-40	65	35	80	10	38,3	1388	502	83	55	20	130	125	14	90	120	244	46	100	130	175	223	991
2KST-40	2 1/2"	35	80	10	38,3	1578	692	83	55	20	130	125	14	90	120	244	46	100	130	175	413	1181
KST-50	80	35	80	10	38,3	1450	564	88	55	20	130	125	14	90	120	244	46	100	130	175	280	1048
2KST-50	3"	35	80	10	38,3	1704	818	88	55	20	130	125	14	90	120	244	46	100	130	175	534	1302
KST-60	100	48	110	14	51,5	1827	704	99	60	20	160	160	18	130	170	271	38	150	190	195	335	1357
2KST-60	4"	48	110	14	51,5	2127	1004	99	60	20	160	160	18	130	170	271	38	150	190	195	635	1657
KST-80	100	48	110	14	51,5	1947	824	109	60	20	160	160	18	150	190	271	38	150	190	195	445	1467
2KST-80	4"	48	110	14	51,5	2347	1224	109	60	20	160	160	18	150	190	271	38	150	190	195	845	1867
KST-100 *	-	-	-	-	-	-	-	-	-	-	-	-	-	-	-	-	-	-	-	-	-	-
KST-120 *	-	-	-	-	-	-	-	-	-	-	-	-	-	-	-	-	-	-	-	-	-	-

* At present not available



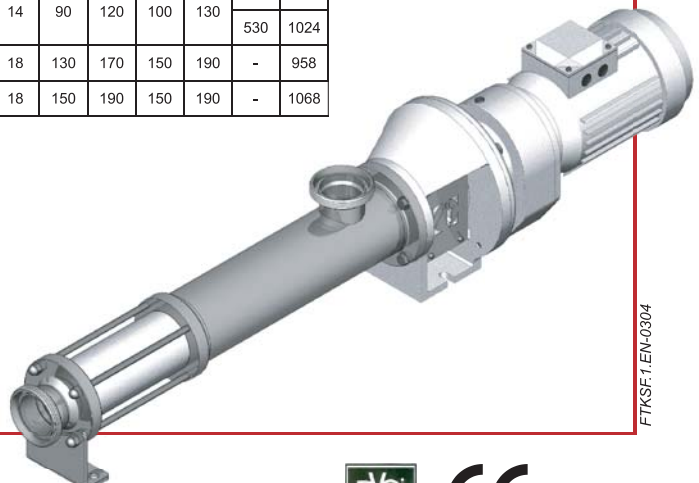
FTKST.1.EN-0305





Type	Dimensions coupling operation								
	d		L		D	M	N	P	T
	Min	Max	Min	Max					
KSF-20	19	24	42	52	M8	130	110	160	5
KSF-25	24	28	52	62	M10	165	130	200	5
KSF-30	24	28	52	62	M12	165	130	200	5
KSF-40	24	35	52	72	M12	215	180	250	5
KSF-50	24	35	52	72	M12	215	180	250	5
KSF-60	35	42	72	112	M12	265	230	300	5
KSF-80	35	42	72	112	M12	265	230	300	5

Type	DN	A	B	C	E	F	G	H	H1	I	J	K	R	S	U	X
KSF-20	40	484	319	58	101	35	12	90	80	11	45	70	70	100	-	379
2KSF-20	1½"	584	419												-	479
KSF-25	50	625	441	64	110	40	15	110	90	11	60	90	90	120	-	504
2KSF-25		2"	717												533	-
KSF-30	50	623	439	64	110	40	15	110	90	11	60	90	90	120	-	502
2KSF-30		2"	773												589	-
KSF-40	65	860	637	83	124	55	20	130	100	14	90	120	100	130	-	713
2KSF-40		2½"	1050												827	413
KSF-50	80	922	699	88	124	55	20	130	100	14	90	120	100	130	-	770
2KSF-50		3"	1176												953	530
KSF-60	100	1119	864	99	121	60	20	160	135	18	130	170	150	190	-	958
KSF-80	100	1239	984	109	121	60	20	160	135	18	150	190	150	190	-	1068



The information contained in this brochure is for guidance only. We reserve the right to modify any material or feature without notice in advance. For further information, please, consult our web site. www.inoxpa.com



FTKSF.1.EN-0304