



**I Applications**

This is a range of vertical, direct motor-driven clamp agitators. They can be used in processes of mixing, dissolution, dispersion, and maintenance whenever strong, high-speed stirring is required in the food-processing, cosmetics, pharmaceutical or chemical industries. They can be fitted to small tanks of up to 1,500 liters, typically with low-viscosity products.

**I Operating principles**

These agitators are fixed to the wall of the tank in a slanted position by means of the clamp with which they are provided.

The rotation of the propeller makes the fluid flow to the bottom of the tank and then up to the surface of the fluid along the tank wall opposite to the wall to which the agitator is fitted. This effect is promoted if the bottom of the tank is curved.

**I Design and features**

- Agitator with clamp
- Packing by means of retainer
- Bearing support
- IEC B14 motors, 1500 rpm, IP 55, F-class insulation
- Maximum power: 0.75 kW
- Propeller attached to shaft and shaft attached to half-shaft by Allen setbolts.
- Lyneflux propeller



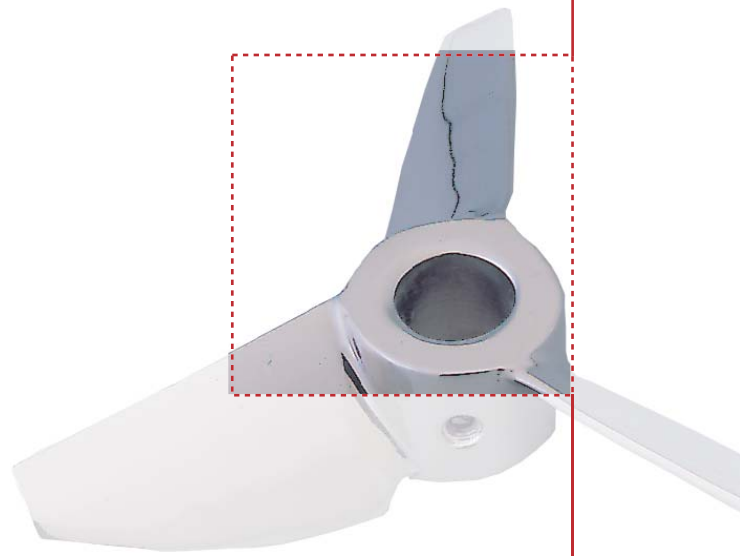
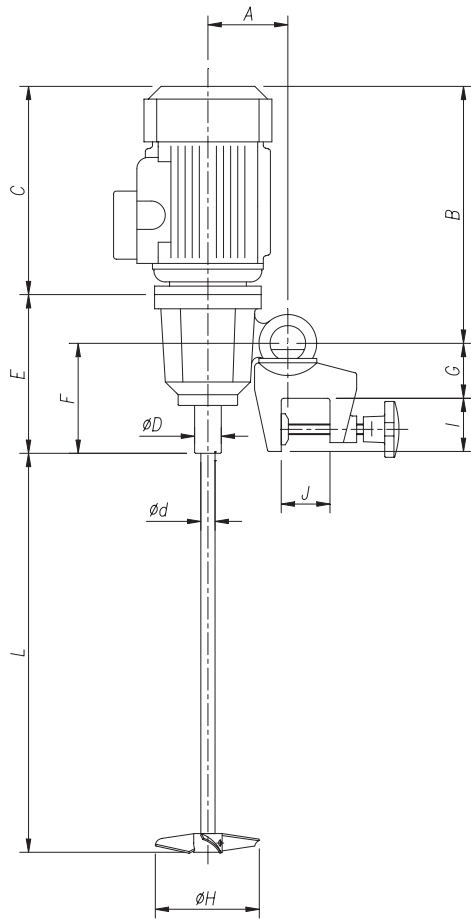
**I Materials**

- |                                  |           |
|----------------------------------|-----------|
| Parts in contact with the media: | AISI 316L |
| Retainer                         | NBR       |
| Bearing support                  | Aluminum  |

**I Options**

- Retainer in FPM
- One-piece shaft
- Motor shroud
- Motors with additional protection
- 950 rpm and 750 rpm motors
- Gearbox drive or speed-selector drive
- Pneumatic drive
- Shafts lined with plastic material for use with corrosive materials





Agitator type		PBC 1.18-4007-1-100			PBC 1.18-4007-1-130		PBC 1.18-4007-1-150	
		PBC 1.18-6005-1-130			PBC 1.18-6005-1-150			
<b>Motor Power</b>	[ Kw ]	0,75			0,55			
<b>Speed</b>	[r/min]	1415			940			
<b>Capacity [H<sub>2</sub>O]</b>	[ m <sup>3</sup> ]	0,1 0,6	0,2 0,8	0,4 1,5	0,1 0,7	0,15 1		
<b>Dimensions</b>	A	90						
	B	290						
	C	234						
	D	30						
	E	180						
	F	124						
	G	55						
	I	60						
<b>Agitator shaft</b>	J max.	45						
	Ø d	16						
<b>Type</b>	L max.	1250						
	18 Lineflux	Ø H	100	130	150	130	150	
<b>Weight</b>	[ Kg ]	16	16	16	16,5	16,5		

